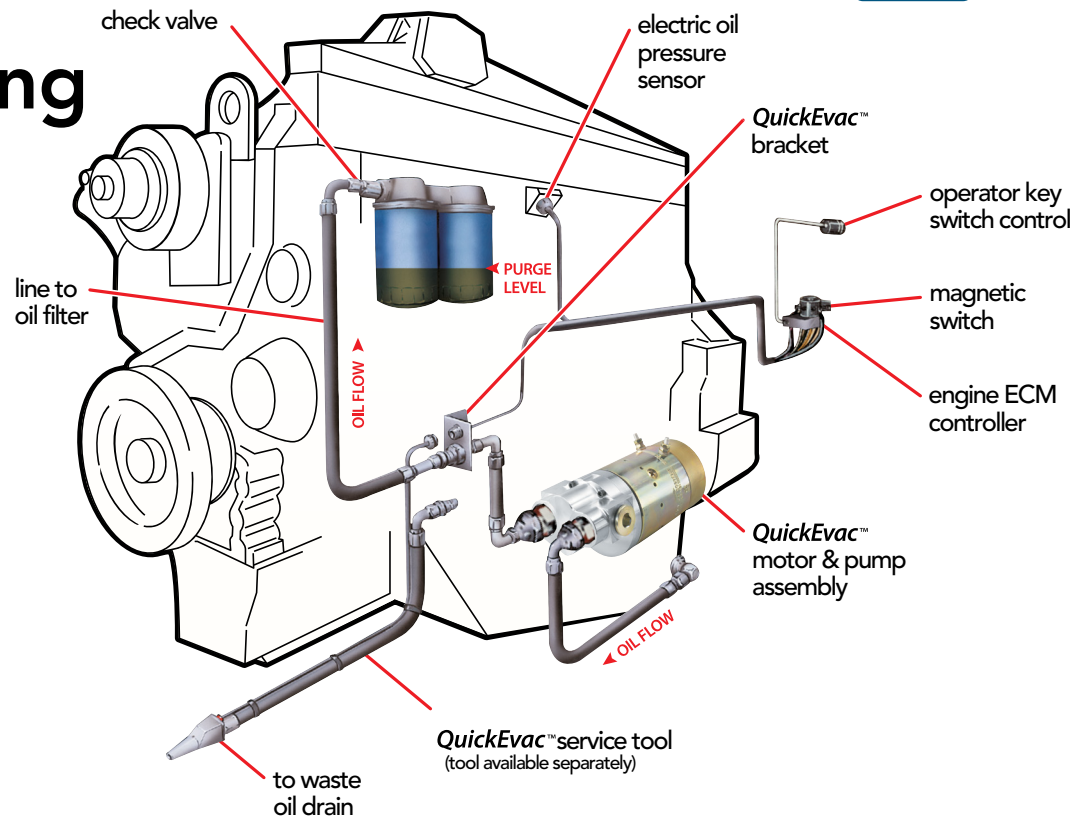


## The maintenance process based on a **simple** idea: Servicing machines shouldn't be so hard.

The *PERT* process™ from RPM Industries is a simple way to standardize your entire fluid maintenance operation. **Purge** the filters, **Evacuate** the compartments, **Refill** the fluids and then **Timestamp** the event...all in just minutes. It's safe, clean, fast... and it's repeatable. No matter the make or model of the machine, the location, or the conditions, the *PERT* process is always the same across all brands and equipment.



**For a lot of fleets, routine maintenance has become anything but routine.**

Machines sit idle for hours during "simple" oil changes. Technicians risk injury removing hot filters and climbing under or around the machines. Hot oil spills endanger your technicians AND the environment. The solution? The *PERT*™ family of fluid management systems.

**We guarantee all RPM systems that feature the *PERT*™ process up to \$10,000.**

Scan with your smartphone to be taken to [rpmindustries.org](http://rpmindustries.org)



# One Process, 3 Simple Solutions.

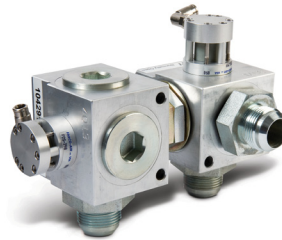
**QuickFit™**



**QuickEvac™**



**MultiVac™**



## One Process in Several Configurations to Meet Your Needs

- **QuickFit™ Systems** – For machines serviced at a central depot. One fitting per compartment provides fast and simple fluid management.
- **QuickEvac™ Systems** – For machines serviced in the field. The onboard, self-contained capability enables safer, cleaner and faster oil changes.
- **MultiVac™ Systems** – For machines serviced in the field. This *QuickEvac* upgrade enables engine, transmission and hydraulic fluid management.

## Simply Safer

- Complete servicing from a single, ground accessible location.
- Virtually no need to climb under or on top of machines.
- Live dipstick read immediately after refill with no need to restart the engine.
- Fewer steps mean less chance of error and injury.

## Simply Cleaner

- Purges filters and evacuates the sump directly to final containment.
- Completely closed loop process.
- No spills, dripping filters, drain pans, or intermediate containers.
- \$10,000 Environmental Guarantee. Ask about details.

## Simply Faster

- Complete fluid and filter changes in minutes.
- Reduces typical PM times by 1.5 to 2.5 hours PER service.
- Increases technician capacities... do more with your existing people.
- Increases machine availability while saving labor costs.
- Typical paybacks in 12 months or less.

## Simply Repeatable

No matter the brand or how you use your equipment, the *PERT* Process delivers a common process for ALL your technicians and ALL your equipment needs. That means training and scheduling of services become easier. Look for the *PERT* symbol for state-of-the-art serviceability that makes machine maintenance routine again.



Whenever you see the *PERT* symbol you're looking at a solution that combines incredible ease of use with comprehensive functionality. Pioneered by RPM Industries, the *PERT* process makes it possible to not only perform routine maintenance safer, cleaner, and faster, but also document it automatically... all in less than 10 minutes per compartment!

- **Purge** with compressed air so that old filters can be removed and clean filters can be installed. No spills, no burns, absolutely clean and safe.
- **Evacuate** contaminated fluids quickly and cleanly.
- **Refill** with new oil entering engine via new filters to filter the oil and fully pressurize the engine.
- **Timestamp** the service to automatically document the maintenance event.

*PERT* technology is the only **GUARANTEED SAFE** way to change fluids. Available only with the *QuickFit™*, *QuickEvac™* and *MultiVac™* systems.